



ACM-4100 Series

IP Cube Camera

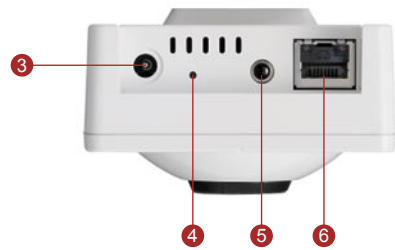


* The bracket is included.

- Superior low-light performance down to 0.1 Lux
- Build in 4.2 mm fixed lens
- MPEG-4 / MJPEG Compression supported
- VGA resolution at 30/25 FPS
- Two-way audio supported

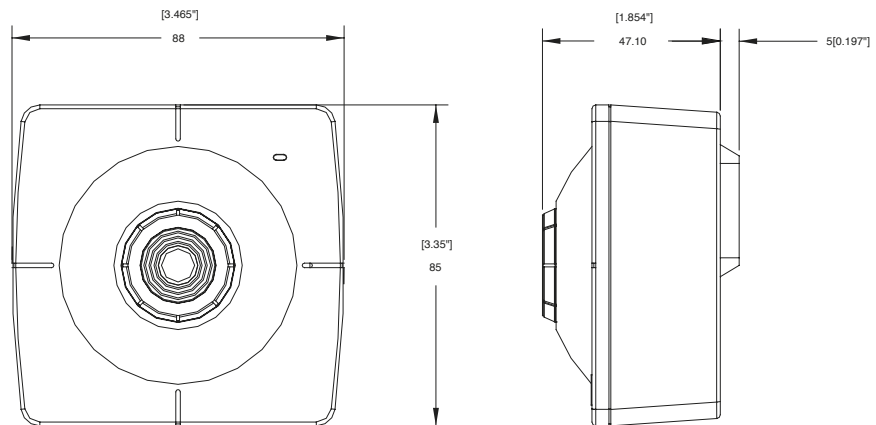


- 1 Power LED indicator
- 2 Built-in microphone

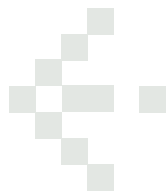


- 3 DC 3.3 V power input
- 4 Reset button
- 5 Audio output
- 6 Ethernet port

DIMENSION DIAGRAM



Unit: mm [inch]



ACM-4100 Series

PRODUCT SPECIFICATION

Image	
Device	Micron Interlaced Scan SuperCMOS
Size	1/4 inch
Effective Pixels	640 x 480
Min. Scene Illumination	
Color	0.1 Lux at F1.8
Lens	
Focal Length	f 4.2 mm / F 1.8
Viewing Angle	75° (Horizontal)
Synchronization	
Sync. System	Internal
Functions	
Motion Detection	Yes (3 windows)
Electronic Shutter	1/25 ~ 1/10,000 sec. (NTSC); 1/30 ~ 1/10,000 sec. (PAL)
AGC	Automatic
White Balance	AWB, MWB (switchable)
S/N Ratio	
S/N Ratio	Better than 38.8 dB
Video Compression	
Compression	MPEG-4 SP, MJPEG selectable
Picture Resolution	VGA (640x480 in NTSC, 640x480 in PAL); CIF (352x240 in NTSC, 352x288 in PAL); QCIF (176x120 in NTSC, 176x144 in PAL)
Bit Rate	28 K ~ 3 M bps
Image Frame Rate	30 fps at VGA resolution (NTSC); 25 fps at VGA resolution (PAL)

Audio Input	
Compression	8 kHz, Mono, PCM
Built-in Microphone	Sensitivity: -36±3dB(0dB=1V/Pa); S/N Ratio: more than 58 dB; Directivity: Omni-directional
Audio Output	
Compression	8 kHz, Mono, PCM
Audio Line Output	Unbalanced, 1.4Vp-p, 1Vrms, 3.5 mm Jack
External I/O	
Reset Button	Factory default
LED	System status
Network	
Ethernet	Ethernet(10/100 Base-T), RJ-45 connector
Protocol	TCP, UDP, IP, HTTP, DHCP, PPPoE, RTP, RTSP
Software	
Web Browser	Microsoft Internet Explorer 6.0 or above
SDK	ActiveX control, C SDK
Security	Password protection: configured by the administrator
Operating	
Temperature	0 °C ~ 40 °C (32 °F ~ 104 °F)
Power	
Power Requirement	DC 3.3 V ±10%
Power Consumption	2 W
Physical	
Dimensions (WxHxD)	88 mm x 85 mm x 52.1 mm (3.46" x 3.35" x 2.05")
Weight	150 g (0.33 lb), w/o bracket

ORDERING INFORMATION

Model Name	Description
ACM-4100	IP Cube Camera

Bundled Accessory



Bracket

- Max. Load: 1.5 kg
- Material / Color: ABS PLASTIC / Grey
- Dimension (H x D) : 115 mm X 80 mm
- Swivel Angle: 360°
- Tilt Angle: 90°